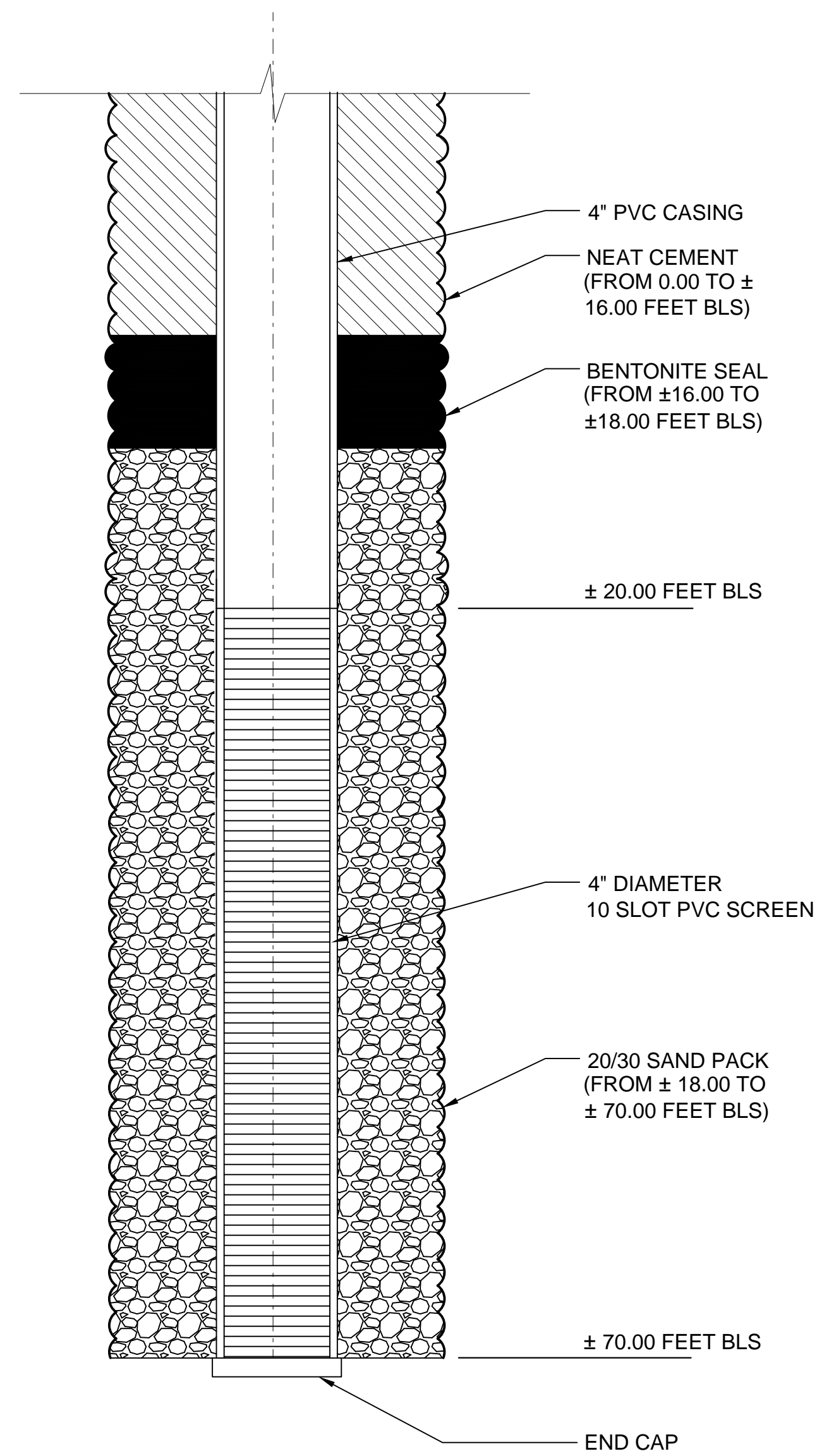


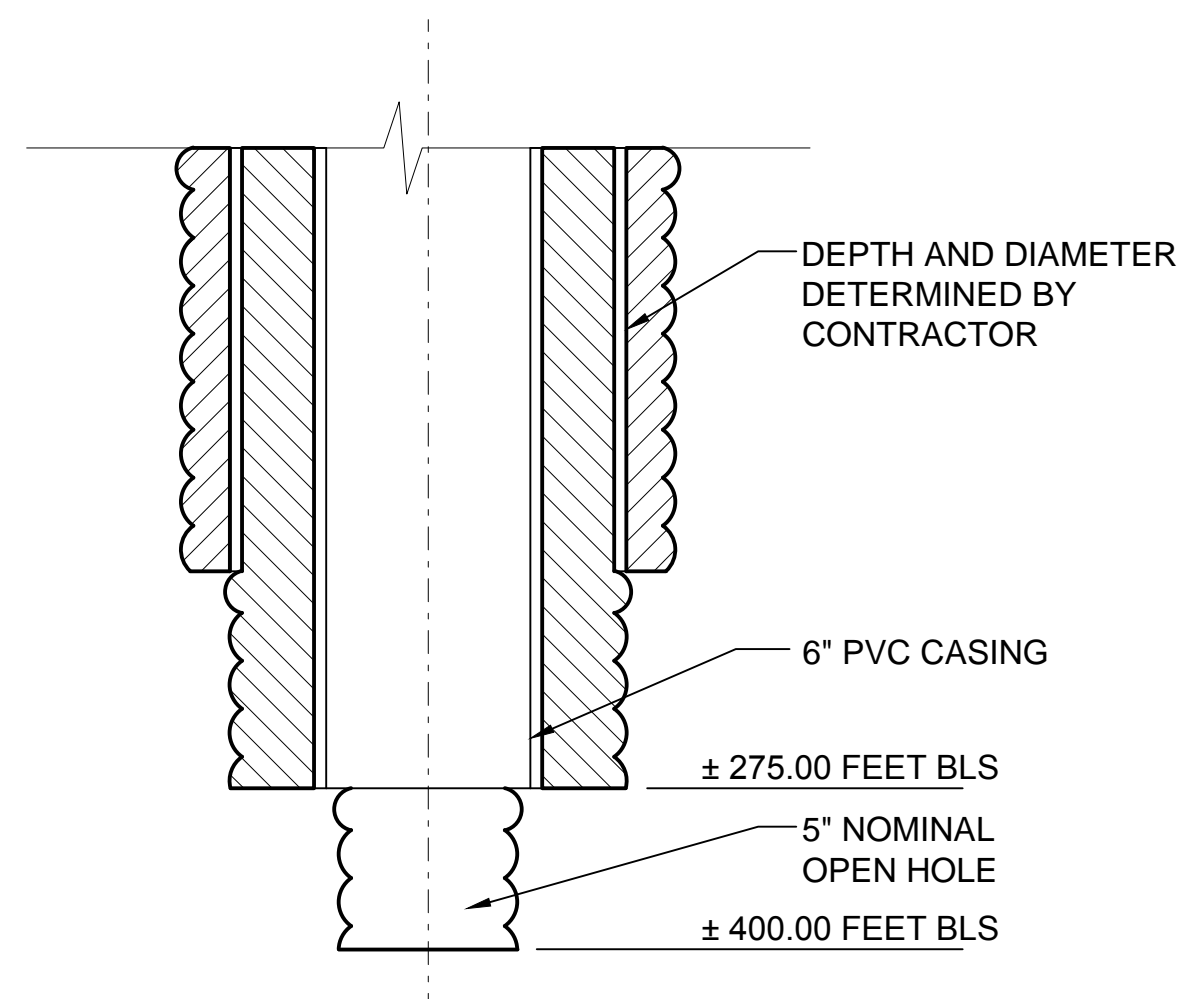
BY: MAUL GABE

PLOT DATE: Wednesday, May 25, 2016 1:37:44 PM

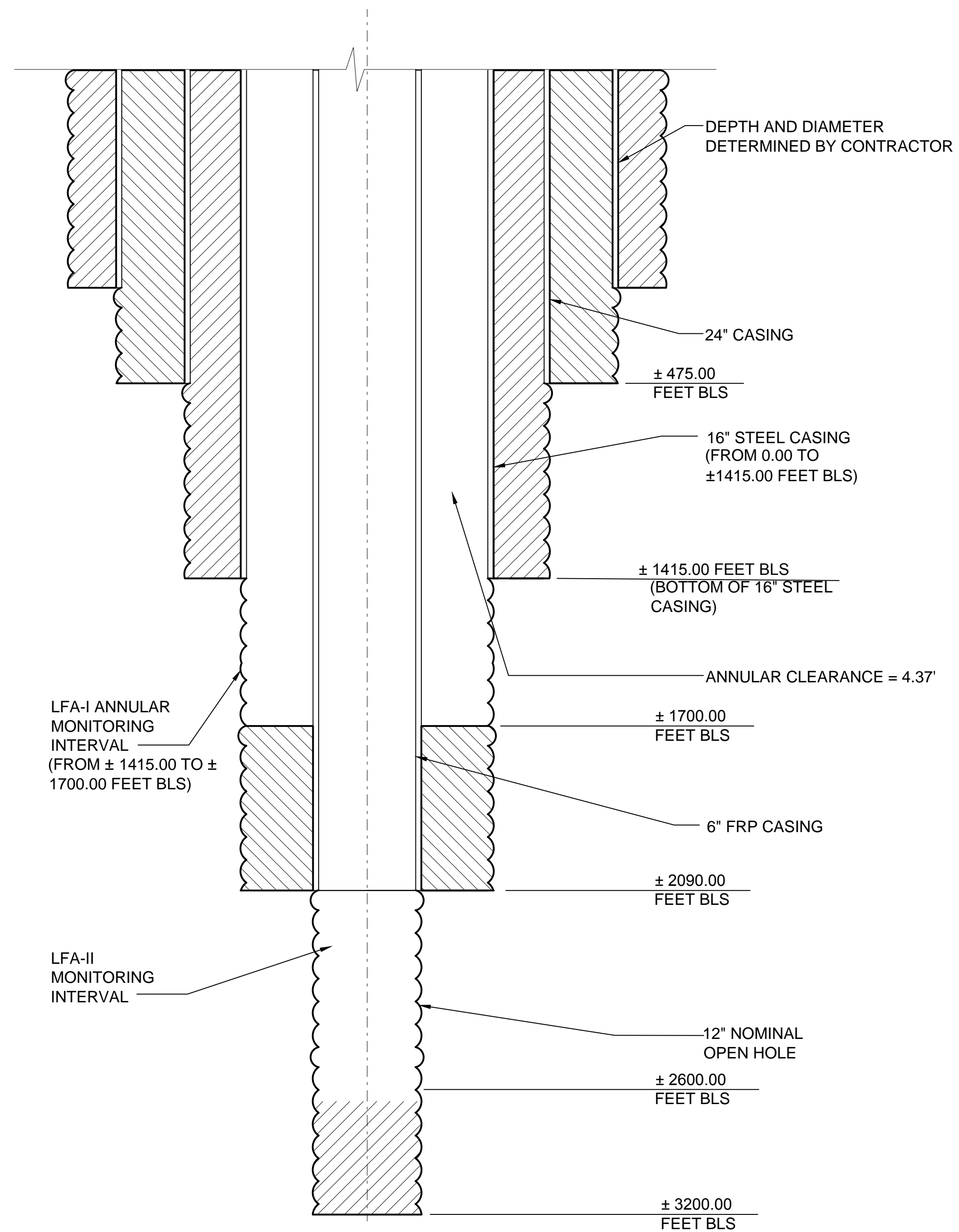
DWG FILE: C:\pwworkdir\0429041\LFA\_M-2.dwg



(LW SA MW-1)  
NTS



(LW UFA MW-1)  
NTS



(LW LFA DZMW-1)  
NTS

REV	DATE	BY	DESCRIPTION

SCALE  
NO SCALE

WARNING  
  
 IF THIS BAR DOES NOT MEASURE 1" THEN DRAWING IS NOT TO SCALE

DESIGNED N. SHARMA  
 DRAWN P. KANASE  
 CHECKED H. WINTZ

ISSUED FOR BID - MAY 2018  
 ANY PRINTS NOT BEARING THIS STAMP MAY HAVE BEEN PRINTED PRIOR TO ADVERTISING AND CANNOT BE CONSIDERED AS BID DOCUMENTS



SOUTHWEST FLORIDA WATER MANAGEMENT DISTRICT  
 2379 Broad Street  
 Brooksville, FL 34604  
 (352) 796 -7211

SWFWMD LAKE WALES LFA WELL DESIGN  
 MECHANICAL  
 WELL SUBSURFACE CONSTRUCTION DETAILS  
 Revised September 27, 2018